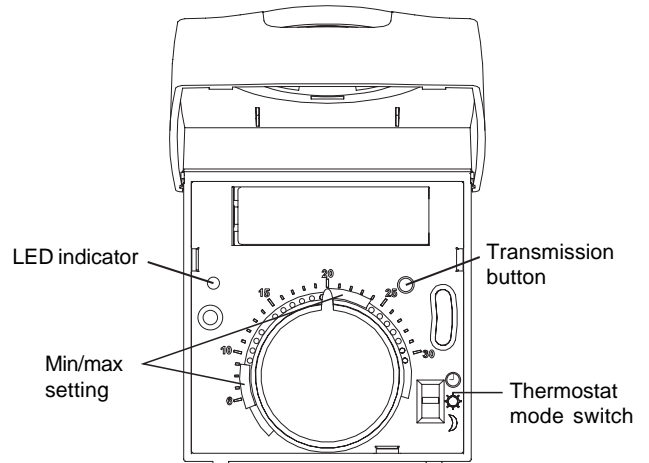


# FH-RT Wireless Room Thermostat

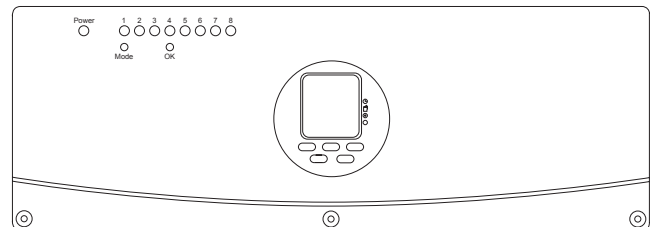
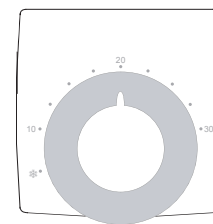
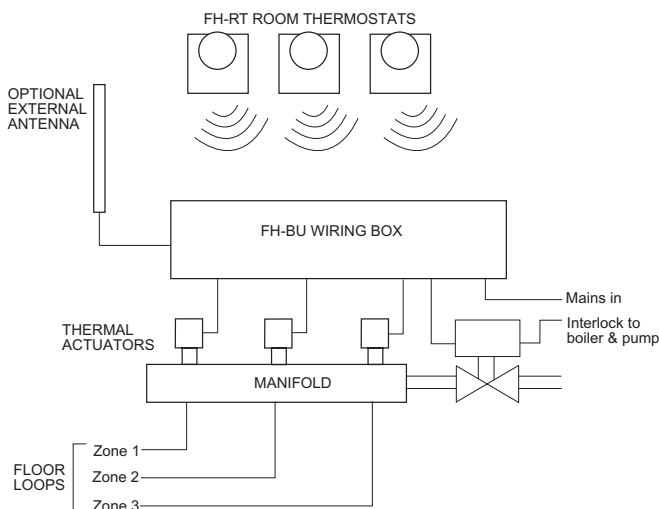
## Installation & Operating Instructions

### Specification

<b>Thermostat</b>	
Order Code:	088H012100
Temperature scale:	6-30°C +/- 2K
Hysteresis:	+/- 0.5°C
Scale accuracy:	2K around set point
Night set-back:	4K at 20°C
Frequency:	433.70 MHz
Battery life:	Min. 5 years
Battery type:	3.6 V lithium battery, 2100 mAh, size AA
Transmission range:	Up to 30 m (radius)
Transmission interval:	2-30 min
Ambient temperature:	0-50°C
Humidity:	Less than 90%



### System Schematic



Base Unit and Thermostat

### Installation Instructions

The system should be installed by a competent person in the following sequence.

These installation and operating instructions describe system function and technical data.

The system is a complete floor heating control system for individual rooms in dwellings, offices, institutions, business premises, etc.

The system is based on data transfer via radio, and is therefore quick and easy to install.

The system was developed to meet requirements for comfort, heat economy, flexibility and user-friendly operation.

The system consists of two unit types: base unit and thermostat. The base unit is connected to a 230 V supply and through eight outputs controls the thermal actuators that regulate the flow of hot water to the individual rooms. The system can also control circulation pump and boiler. The base unit is centrally located in the dwelling adjacent to the distribution manifold.

### Base Unit

Please see the FH-BU instructions.

## Thermostat installation

Thermostats should be mounted on an internal wall at a height of 1.2-1.5 metres above the floor, using screws and fixings. Thermostats must not be placed on an external wall or near heat sources such as television and stereo sets, ovens or similar. Thermostats should not normally be placed where they can be affected by direct sunshine. In rooms that are very humid or damp, e.g. bathrooms, thermostats must be placed as far from moisture sources as possible.

## Setting room temperature

The temperature is set by turning the thermostat setting knob to the desired temperature.

## Setting min./max. temperature

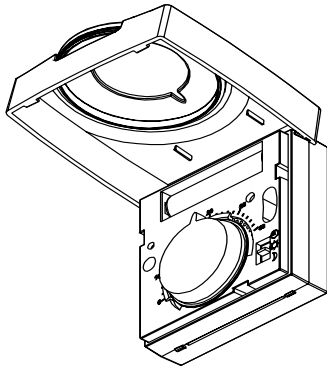
Lift thermostat cover.

Set min./max. temperatures using the red and blue limiters respectively.

## Setting thermostat operating mode

Switch position "sun" => normal => no night set-back.  
 Switch position "moon" => night set-back => 4°C at 20°C.  
 Switch position "clock" => timer-controlled set-back.

If timer-controlled set-back is required, it must be programmed via the time clock/timer module (optional) fitted to the base unit.



Thermostat Installation

## Pre-installation

Thermostats must be registered in the base unit before being placed in individual rooms.

When registering thermostats, it is important that the room in which they are to be placed is written or marked on the rear of the thermostat. Thermostats can then be registered in turn. The channels to be used for individual rooms must therefore be decided in advance.

## Thermostat test mode

This mode is used to test thermostat transmission.

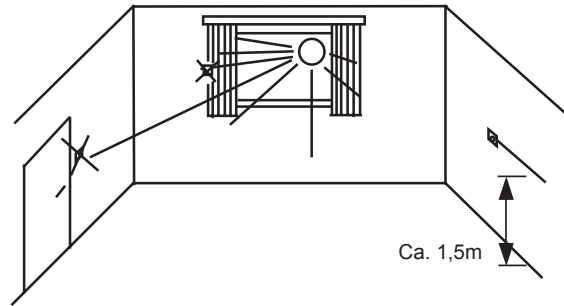
Using the point of a pencil or similar, press the transmission button on the front of the thermostat for 3 seconds.

This forces the thermostat to transmit a signal every 7 seconds for 5-6 minutes.

Then check whether a signal from the thermostat is received by the base unit at 7 second intervals (the LED indicator for the assigned channel flashes on receiving a signal).

The test can be terminated by again pressing the thermostat transmission button.

**Note:** The system returns automatically to normal mode if no buttons are pressed during a 5-minute period.



Thermostat Location

## Registration Record

Output	Channel	Room	Circuit
1	1		
2	2		
3	1		
4	2		
5	1		
6	2		
7/boiler (optional)	1		
8/pump (optional)	2		



Danfoss Randall can accept no responsibility for possible errors in catalogues, brochures and other printed material. Danfoss Randall reserves the right to alter its products without notice. This also applies to products already on order provided that such alterations can be made without subsequent changes being necessary in specifications already agreed.

### Danfoss Randall Limited,

Amphill Road,  
 Bedford, MK42 9ER  
 Telephone: (01234) 364621 Fax: (01234) 219705  
 Email: danfossrandall@danfoss.com  
 Website: www.danfoss-randall.co.uk

